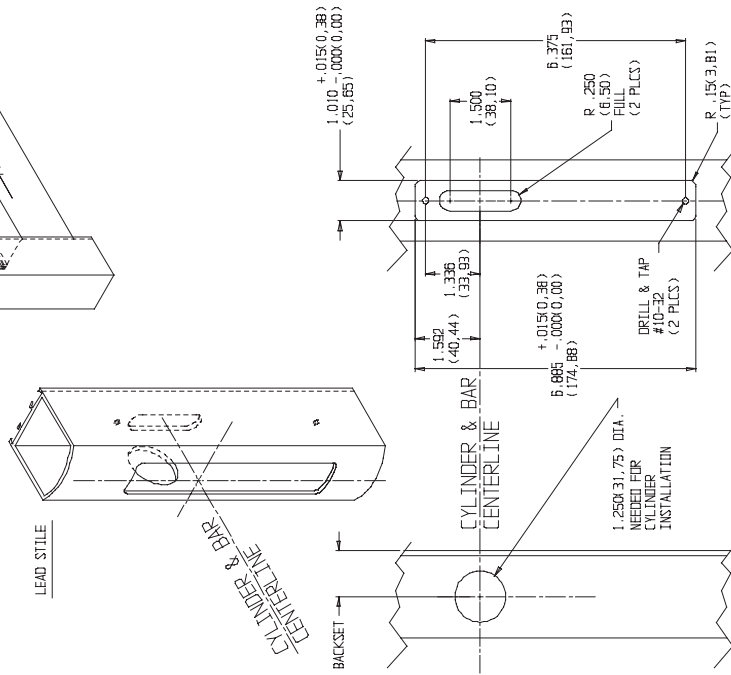
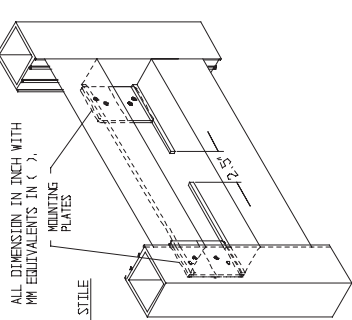


**IMPORTANT:**

Before the midpanel extrusion is attached to vertical stiles, two mounting plates must be slipped into the midpanel rail in the orientation shown right.

Optionally, at the center of midpanel extrusion remove 2 1/2" of extrusion rail (top or bottom) so that the mounting plates can be inserted or removed even after the extrusion is attached.

**PREPARATION**



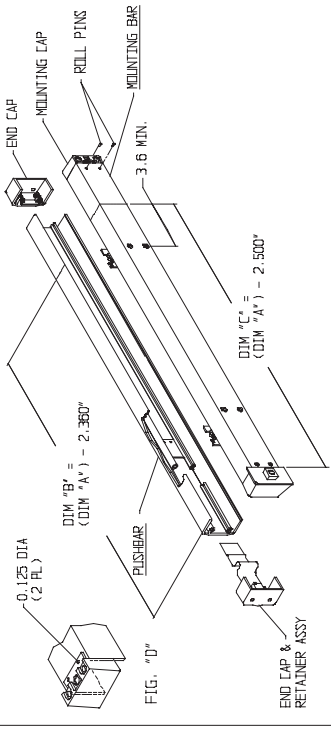
**INSTALLATION**

**DEADLATCH INSTALLATION**

1. Adjust mounting post length so that the faceplate is flush with stile.
2. Tighten lock case securely using #10-32 screws.
3. Mount faceplate using #8-32 screws.

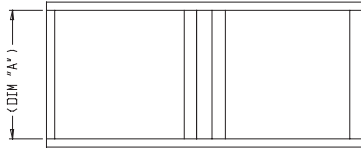
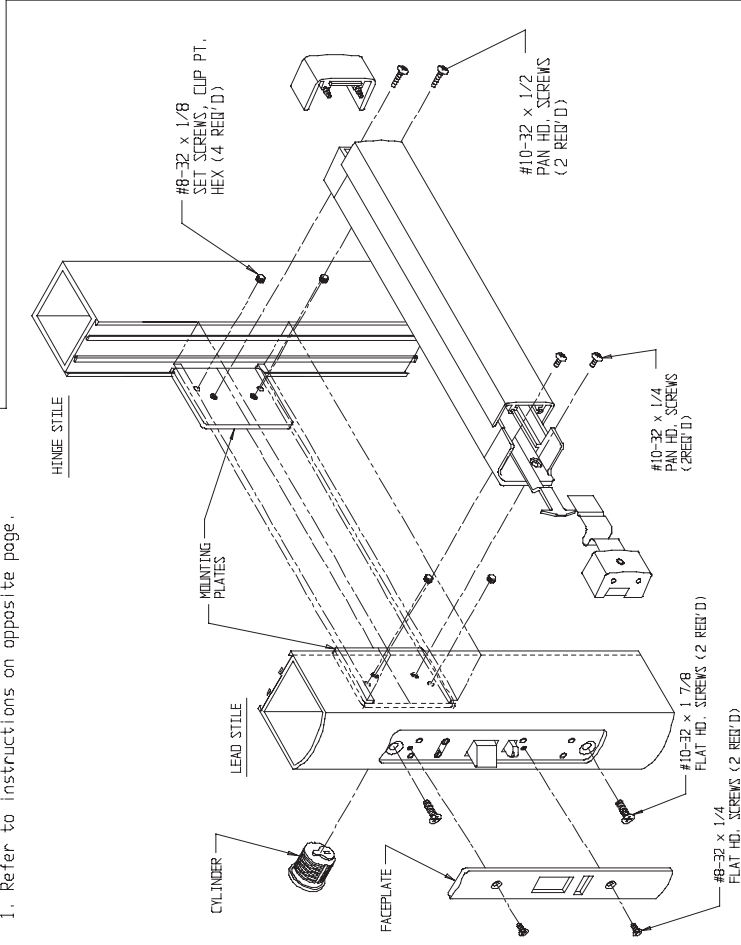
**PUSHBAR MOUNTING INSTRUCTIONS**

1. Refer to instructions on opposite page.



**PUSHBAR CUTOFF INSTRUCTIONS**

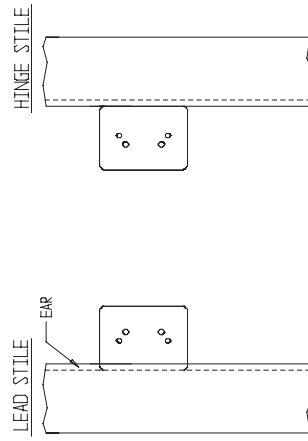
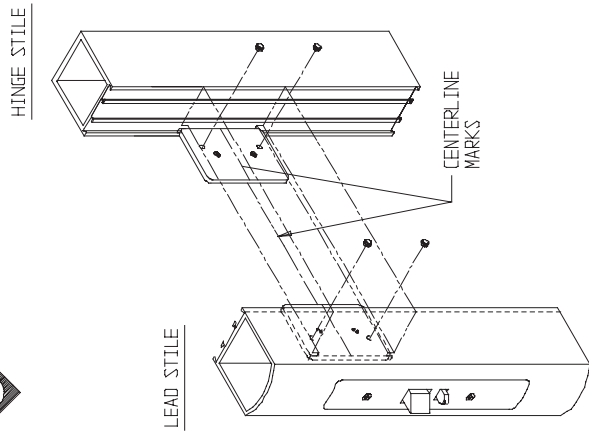
1. Remove both end caps from push bar and separate push bar from mounting bar.
2. Cut pushbar to DIM "B" and deburr.
3. Drive out two roll pins from mounting bar.
4. Cut mounting bar to DIM "C" and deburr. (Note: 3/6" minimum dimension from rivet centerline to new cut-off length must be maintained as shown.)
5. Lay mounting cap over mounting bar FIG. ("D") and use as a guide to drill .125 dia. holes.
6. Install mounting cap into mounting bar and drive two roll pins into holes.
7. Assemble pushbar and mounting bar. Install end caps into pushbar.
8. See installation instructions.



**ADAMS RITE MANUFACTURING COMPANY**  
CITY OF INDUSTRY, CALIF. 91749

8475 MIDPANEL MORTISE EXIT DEVICE

STEP 1

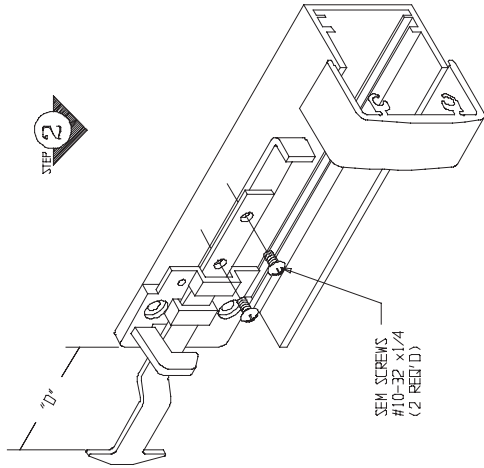


FRONT VIEW

INSTALL MOUNTING PLATES

1. Apply Loctite #222 to all #8-32 set screws.
2. Position the mounting plates as shown in the FRONT VIEW.
3. After aligning the center line marks, fasten mounting plate with set screws using 7-9 in-lbs torque.

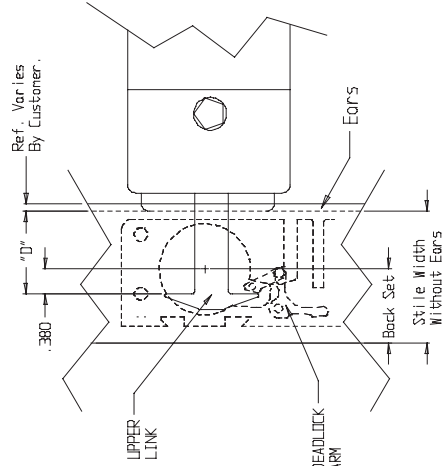
STEP 2



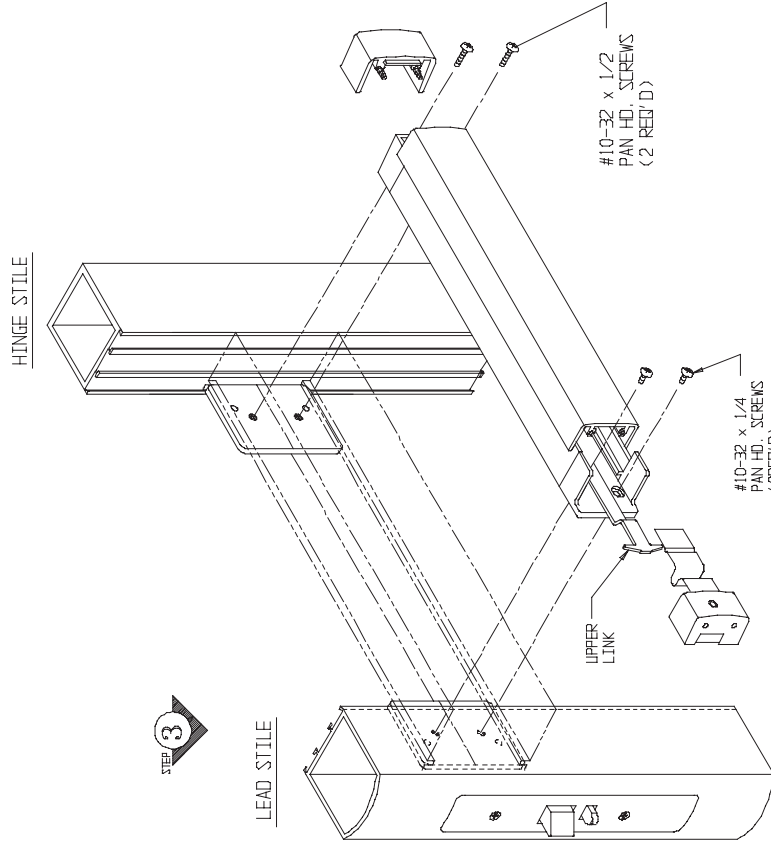
INSTALL UPPER LINK

Slide upper link into mounting bar as shown above, and secure with two set screws using 30-35 in-lbs. torque. Note the distance "D" which can be calculated by the equation below. (Note: The pushbar is released or open position.)

"D" = Stile Width Without Ears - Backset + .380"



STEP 3



MOUNTING PUSHBAR ASSEMBLY TO DOOR

1. Insert upper link into the back of deadlatch and engage the deadlock arm as shown on left.
2. Secure pushbar assembly using four screws.
3. Install both endcaps using four self-tapping screws.
4. Check to see if pushbar is operating correctly. Upper link should retract the latch when pushbar is depressed.