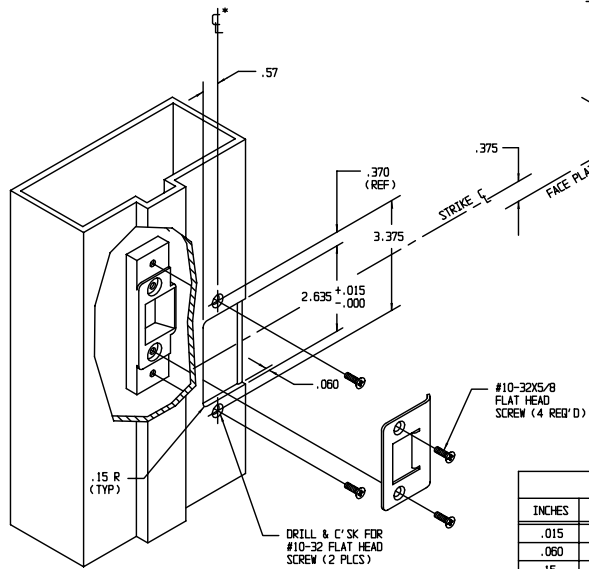


### PREPARATION

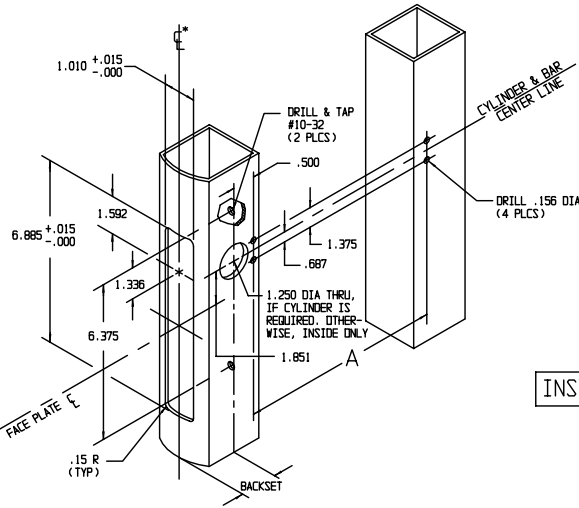
NOTE: THESE DIMENSIONS AND TEMPLATES ASSUME A DOOR THICKNESS OF 1 3/4". FOR DOORS OF OTHER THICKNESS, CONSULT FACTORY.

NOTE:  $\text{CL}^*$  DENOTES VERTICAL CENTER LINE OF STRIKE WITHIN .015 OF DEADLATCH CENTER LINE.



### STRIKE INSTALLATION

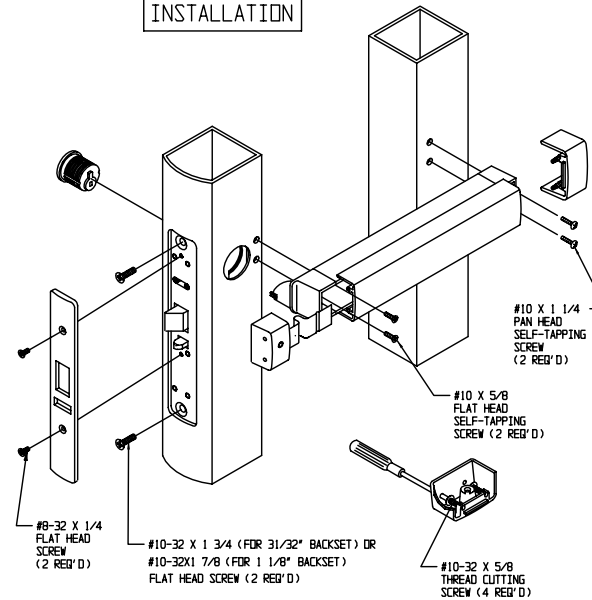
1. INSTALL CAST STRIKE CLIP WITH #10-32 FLAT HEAD SCREWS.
  2. INSTALL STRIKE PLATE WITH #10-32 FLAT HEAD SCREWS.
- NOTE: BOTH STRIKE CLIP AND STRIKE PLATE MUST BE INSTALLED PROPERLY TO MEET CODE REQUIREMENTS.



METRIC EQUIVALENTS					
INCHES	MM	INCHES	MM	INCHES	MM
.015	0.38	1.592	40.44	38.84	986.54
.060	1.52	1.951	49.02	42	1066.80
.15	3.81	2.655	66.93	43.57	1106.68
.250	6.35	3.375	85.73	44.84	1138.94
.370	9.40	6.375	161.93	48	1219.20
.375	9.53	6.885	174.88	1/4	6.35
.500	12.70	25.57	649.48	5/8	15.88
.57	14.48	26.84	681.74	31/32	24.61
.687	17.45	30	762.00	1 1/8	28.58
1.010	25.65	31.57	801.88	1 1/2	38.10
1.250	31.75	32.84	834.14	1 3/4	44.45
1.336	33.93	36	914.40	1 7/8	47.63
1.375	34.93	37.57	954.28		

	BACKSET	DOOR OPENING WIDTH			
		30"	36"	42"	48"
DIM A	31/32" OR 1 1/8"	26.84	32.84	38.84	44.84
	1 1/2"	25.57	31.57	37.57	43.57

### INSTALLATION



### DEADLATCH INSTALLATION

1. ADJUST MOUNTING POST TO LENGTH REQUIRED TO TO FLUSH FACEPLATE WITH NOSE OF STYLE.
2. TIGHTEN LOCK CASE SECURELY USING #10-32 SCREWS.

### PUSH BAR MOUNTING INSTRUCTIONS

1. DEPRESS LATCH BOLT.
2. INSERT BAR ASSEMBLY CAM PLUG THRU SIDE PLATE.  
NOTE: THE SQUARE KEY ON PLUG MUST ALIGN WITH SQUARE NOTCH ON SIDE PLATE.
3. INSTALL SELF-TAPPING SCREWS, BOTH ENDS, THEN, TIGHTEN SECURELY.
4. TIGHTEN CAM PLUG SET SCREW.
5. INSTALL FACEPLATE.
6. INSTALL END CAPS (DODGGEY SOCKET AT LATCH END).

ADAMS RITE MANUFACTURING COMPANY  
CITY OF INDUSTRY, CALIF. 91749

8400 MORTISE EXIT DEVICE