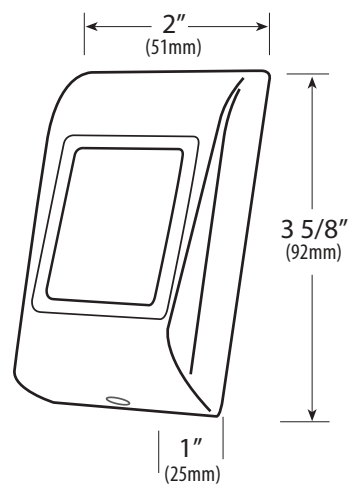


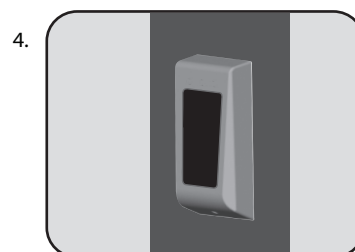
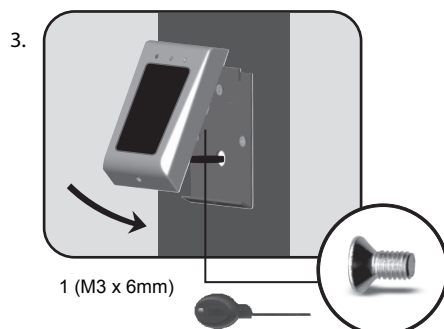
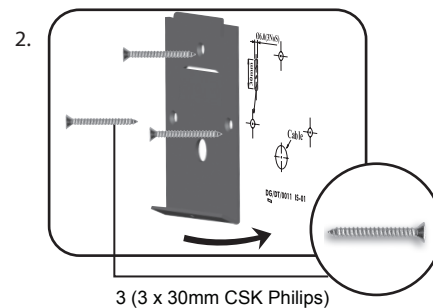
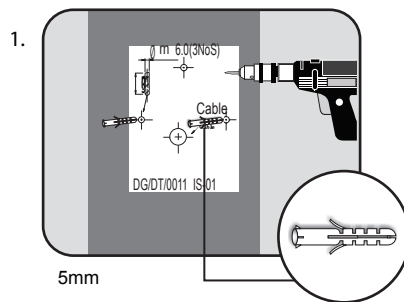
CV-930 Series Proximity Reader Installation Instructions

Feature

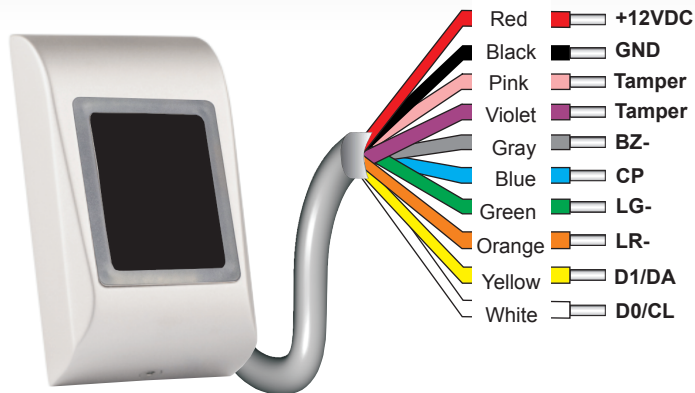
- Multi protocol compact slave Proximity reader
- Aluminium die-casted housing
- Compatible with WIEGAND 26-40bit or CLOCK & DATA.
- Read range of 3cm distance
- HID/AWID compatible tags
- 125 kHz operating frequency
- Tricolor LEDs (orange, red and green)
- Audible and visual feedback
- 9-14V DC
- Current consumption: max. 30mA
- Resin Potted electronics
- Tamper protection
- Dustproof and waterproof (Ip65)
- Operating Temperature: 5°F to +122°F
(-15°C to +50°C)



Mounting



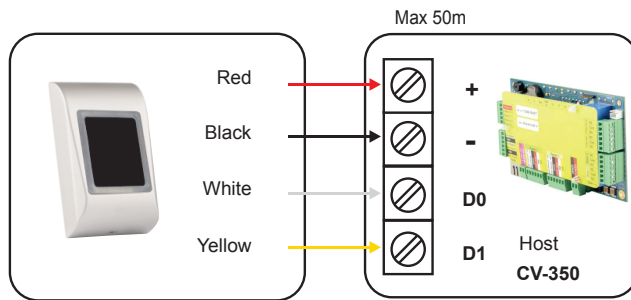
Wiring



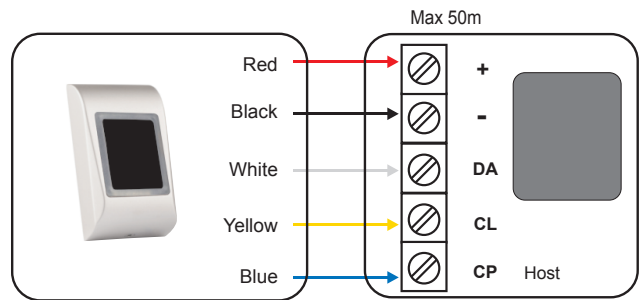
COLOUR	CONNECTION
Red	→ + 12V DC
Black	→ GND
Pink	→ Tamper
Violet	→ Tamper
Gray	→ Buzzer -
Blue	→ Card Present
Green	→ Green LED
Orange	→ Red LED
Yellow	→ Data 1 / Data
White	→ Data 0 / Clock

+12VDC	9-14V DC
GND	Ground
Tamper	Tamper Switch
Tamper	Tamper Switch
BZ-	Buzzer
CP	Card Present
LG-	Green LED -
LR-	Red LED -
D1/DA	Data 1/ Data
D0/CL	Data 0/ Clock

WIEGAND Connection



CLOCK & DATA Connection



DIP Switch Settings

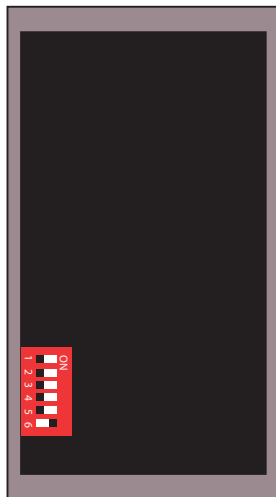


Table 1

DIP Switch Settings		
1	Backlight	ON / OFF
2	Buzzer	ON / OFF
3	W1	See Table 2
4	W2	See Table 2
5	No Parity	(ON = No Parity / OFF = Send Parity)
6	Card Type	(ON = HID / OFF = AWID)

Table 2

SW	W26 bit	W34 bit	W37 bit	W42 bit	W24 bit	W32 bit	W35 bit	W40 bit
3	OFF	ON	OFF	ON	OFF	ON	OFF	ON
4	OFF	OFF	ON	ON	OFF	OFF	ON	ON
5	OFF	OFF	OFF	OFF	ON	ON	ON	ON

Tricolor LED



Orange:
(Idle Mode): LG- and LR- not connected



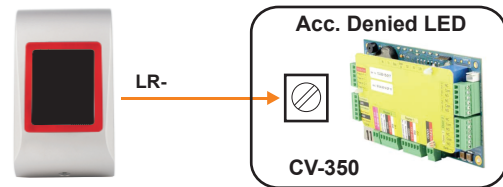
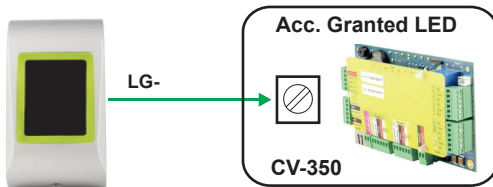
Green:
LG-(green wire) connected to GND



Red:
LR-(orange wire) connected to GND



No light:
LG-(green wire) and LR-(orange wire) connected to GND



Questions? Call us toll-free at 1-877-226-3369



Push Buttons



Keypads



Strikes



Magnetic Locks



Key Switches



Relays & Timers



Access Control



5502 Timberlea Blvd.,
Mississauga, ON Canada
L4W 2T7

www.camdencontrols.com
Toll Free: 1.877.226.3369

File: CV-930 Series
Installation Instructions.innd R1
Revision: 06/05/2015
Part No.: 40-82B172