

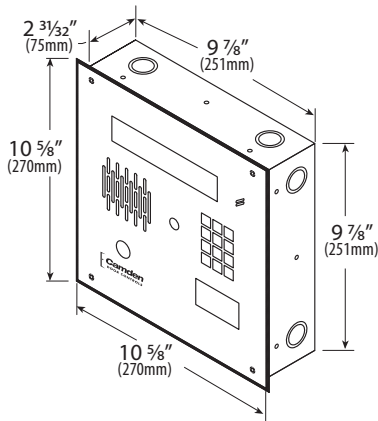


CV-TAC400 SERIES

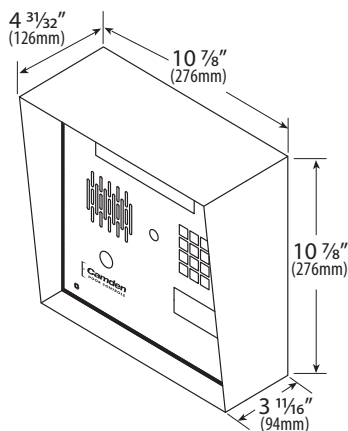
INTEGRATED TELEPHONE ENTRY AND ACCESS CONTROL SYSTEM



CV-TAC400B/M



CV-TAC400
FLUSH MOUNT



CV-TAC400
SURFACE MOUNT
WITH RAIN HOOD

OVERVIEW

CV-TAC400 is an integrated Auto-Dial Control (ADC) Telephone Entry system that provides a full array of 'large system' features, combining telephone entry and card access, at a remarkable 'small system' price.

TELEPHONE ENTRY FEATURES

- BUILT-IN ELECTRONIC DISPLAY, WITH 4 LINE TENANT LISTING
- 500 NAME DIRECTORY
- FULL AUDIT CAPABILITY FOR ALL ENTRANCES AND OTHER SECURED AREAS
- MASTER/SLAVE CONFIGURATION; UP TO 3 SLAVE PANELS FOR VISITOR PARKING, GARAGES, ETC.
- ROBUST KEYPAD WITH DEDICATED SCROLL AND CALL BUTTONS
- 15 DIGIT DIALING
- SUPPORTS AFTER-HOURS AUTOMATED ATTENDANT
- LOCAL (VIA USB) OR REMOTE (VIA TELEPHONE MODEM) PROGRAMMING
- SUPPORTS PIN CODE ACCESS FOR EMERGENCY AND OTHER SERVICES
- BUILT-IN PROXIMITY READER (OPTIONAL)
- WIEGAND OUTPUT (FOR INTEGRATION WITH OTHER ACCESS CONTROL SYSTEMS)
- HEAVY-DUTY STAINLESS STEEL FACEPLATE
- FLUSH MOUNT ENCLOSURE, WITH OPTION FOR VANDAL/RAIN HOOD.
- OPTIONAL STAINLESS STEEL SURFACE ENCLOSURES
- OPTIONAL HEATER KIT

ACCESS CONTROL FEATURES

- HID/AWID FORMAT CARD READER BUILT INTO FRONT FACE OF LOBBY PANEL, AND UP TO 3 SLAVE PANELS
- UP TO 12 CV-TAC4WC WIEGAND CONTROLLERS, FOR ADDING CARD READERS OR OTHER WIEGAND DEVICES (ONE DEVICE PER CONTROLLER)
- UP TO 3,000 USER CODES
- 20 TIME ZONES, 8 ACCESS LEVELS, AND HOLIDAY SCHEDULES
- 4000 AUDIT TRANSACTIONS
- RS485 POLLING
- SUPERVISED INPUTS THROUGHOUT THE SYSTEM
- ELEVATOR CONTROL, UP TO 48 FLOORS, 4 CABS PER SYSTEM

INTEGRATED TELEPHONE ENTRY AND ACCESS CONTROL SYSTEM

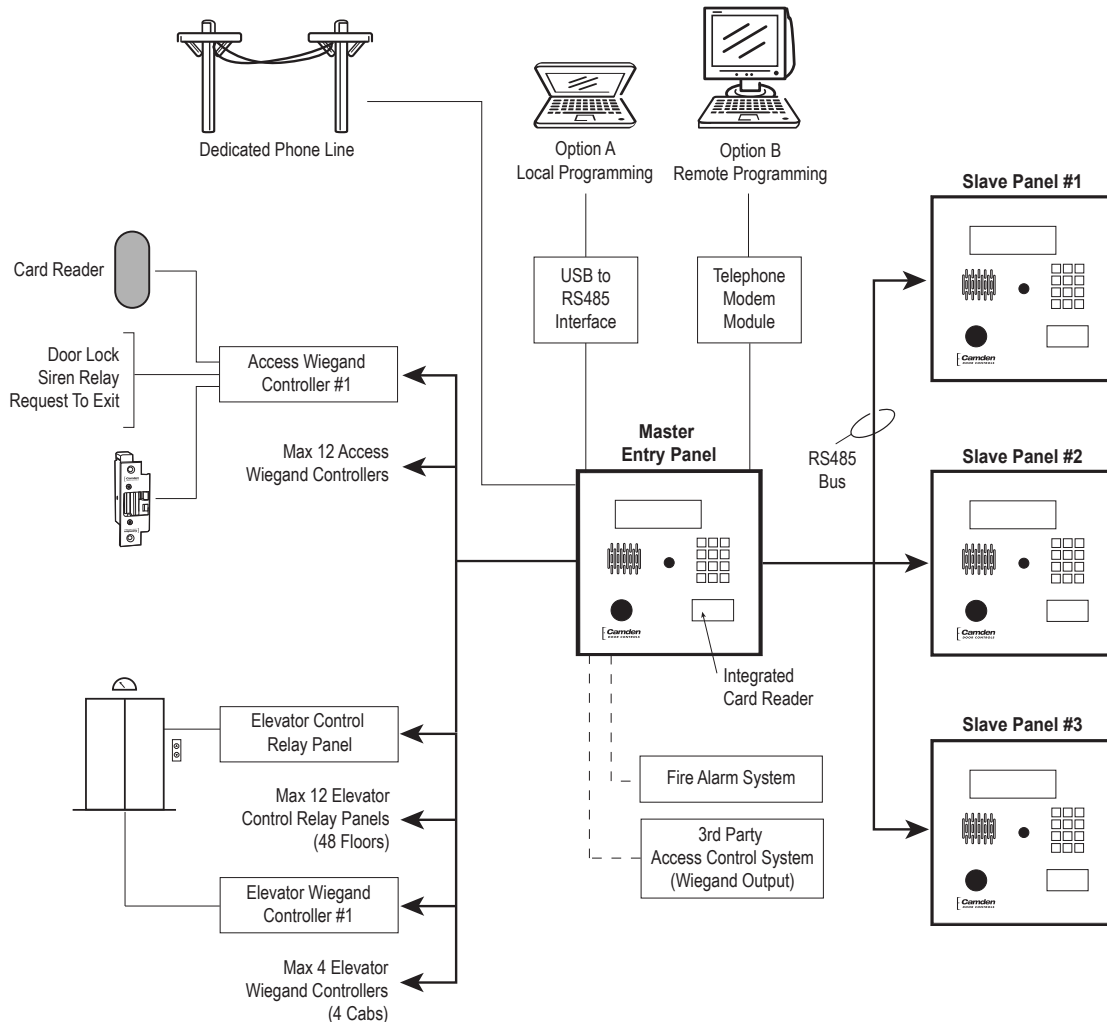
APPLICATION

CV-TAC400 integrated telephone entry and access control system is ideal for multi-unit residential and commercial buildings, with up to 500 suites/names. As a stand-alone telephone entry system, CV-TAC400 provides maximum performance, durability and economy. In a multi-panel (up to 3 slave panels), integrated configuration (telephone entry and card access) or with multiple locations, CV-TAC400 provides unprecedented performance and value.

DESCRIPTION

CV-TAC400 delivers a new level of sophisticated and fully integrated telephone entry and access control to small and mid-sized projects. Best of all, the CV-TAC400 Series has been designed for easy installation and property management. The system can be ordered for local (hardwire) programming via USB connection, where there is on-site management. Or it can be supplied with a modem, making it ideal for multiple building, off-site system management.

The system provides the ability to add fully integrated card access performance, easily and affordably. Both the telephone entry and access control systems utilize a common configuration and reporting software platform. CV-TAC400 is offered with a choice of HID/AWID format prox readers. Camden also offers a wide selection of other Wiegand keypads, and RF controls that may be used with the system.



INTEGRATED TELEPHONE ENTRY AND ACCESS CONTROL SYSTEM

SPECIFICATIONS

TELEPHONE ENTRY

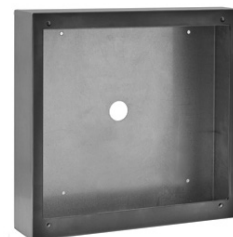
SUITE DIRECTORY:	UP TO 500, WITH 4 LINE TENANT LISTING
PIN CODES:	UP TO 10 FOR EMERGENCY SERVICES AND MAINTENANCE PERSONEL
SLAVE SUPPORT:	3 SLAVES
INPUT POWER:	12VDC @ 135MA, REVERSE PROTECTED
LCD DISPLAY:	BACK-LIT 4 X 20 CHARACTER
KEYPAD:	BACK-LIT, HEAVY DUTY WEATHER RESISTANT
GREETING MESSAGE:	50 CHARACTERS
COMMUNICATIONS:	HANDS-FREE , FULL DUPLEX
OUTPUT CONTROL RELAYS:	2 X FORM 'C' (SPDT) 3 A@ 125V AC
COMMUNICATIONS MODE:	RS485 PROPRIETARY PROTOCOL @ 9600 BAUD
RS485 PORTS:	2
WIEGAND OUTPUT:	1 X 26BIT
POSTAL KEYLOCK:	KNOCK-OUT FOR PRE-WIRED KEYLOCK
PROVISION FOR CAMERA:	YES
AUDIT TRANSACTIONS:	UP TO 4,000, SUPPORTED 'OFF-LINE'
OPERATING TEMP:	+32F TO +122F (0C TO +50C) WITH OPTIONAL HEATER -22F TO +122F (-30C TO +50C)
COMPUTER REQUIREMENTS:	PC, 2GB RAM, 160GB HDD

ACCESS CONTROL

NO. OF DOORS:	UP TO 16
PROGRAMMABLE ACCESS LEVELS:	8
BUILT IN PROX. READER:	HID/AWID FORMAT PROXIMITY
USERS/ACCESS CODES:	600 USERS, WITH UP TO 5 ACCESS CODES EACH (UP TO 3,000)
HOLIDAYS:	UP TO 10
ELEVATOR CONTROL:	4 CABS X 48 FLOORS



CV-TAC4FB
FLUSH MOUNT
'ROUGH-IN' BOX



CV-TAC4SB
SURFACE MOUNT
ENCLOSURE



CV-TAC4FH
VANDAL/RAIN HOOD.
USE WITH FLUSH OR
SURFACE MOUNT
ENCLOSURE

ORDERING INFORMATION

TELEPHONE/ACCESS PANELS

CV-TAC400B	MASTER DIRECTORY, 4 LINE ELECTRONIC DISPLAY, WITH USB/485 INTERFACE FOR LOCAL PROGRAMMING/MONITORING, SOFTWARE INCLUDED
CV-TAC400M	MASTER DIRECTORY, 4 LINE ELECTRONIC DISPLAY, WITH MODEM FOR OFF-SITE PROGRAMMING/MONITORING, SOFTWARE INCLUDED
CV-TAC400S	SLAVE DIRECTORY, 4 LINE ELECTRONIC DISPLAY

MOUNTING ENCLOSURES

CV-TAC4FB:	FLUSH 'ROUGH-IN' BACK BOX, GALVANIZED METAL
CV-TAC4SB:	SURFACE MOUNT ENCLOSURE, STAINLESS STEEL
CV-TAC4FH:	RAIN HOOD FOR FLUSH OR SURFACE MOUNT BACK BOX, STAINLESS STEEL

PANEL OPTIONS

CV-TAC4USB:	INTERFACE, RS485 TO USB , FOR LOCAL PROGRAMMING VIA PC (SUPPLIED WITH CV-TAC400B) REQUIRED FOR CV -TAC 400M LOCAL PROGRAMMING
CV-TAC4H:	HEATER, MUST BE INSTALLED BY FACTORY, INCLUDES 50VA TRANSFORMER
CV-TAC4P:	HANDSET, FOR PRIVACY OR NOISY LOBBY ENVIRONMENTS
CV-TAC4PRA:	CARD READER, PANEL MOUNTED HID/AWID DUAL FORMAT PROX., FACTORY INSTALLED
CV-TAC4M:	MODEM FOR OFFSITE PROGRAMMING (SUPPLIED WITH CV-TAC400M)

CONTROLLERS

CV-TAC4WC:	WIEGAND CONTROLLER FOR ADDING UP TO 12 REMOTE PROX READERS, RF, OR KEYPADS. UP TO 4 WIEGAND CONTROLLERS CAN BE DESIGNATED FOR ELEVATOR CAB CONTROL
CV-TAC4EL:	ELEVATOR CONTROLLER (ONE REQUIRED PER 16 FLOORS, PER CAB)

READERS & CARDS

CV-7400:	HID/AWID FORMAT PROX READER, MULLION STYLE, UP TO 4" -5" READ RANGE
CV-7820:	AWID FORMAT PROX READER, SINGLE GANG, UP TO 6" -8" RANGE

COMPATIBLE PROX. CARDS & KEY TAGS

CV-CSA:	AWID FORMAT PROX CARDS, CLAM SHELL STYLE, PACKAGE OF 10
CV-CSA-B:	AWID FORMAT PROX CARDS, CLAM SHELL STYLE, PACKAGE OF 100
CV-ISA:	AWID FORMAT ISO PROX CARD, PACKAGE OF 10
CV-ISA-B:	AWID FORMAT ISO PROX CARD, PACKAGE OF 100
CV-KTA:	AWID FORMAT PROX KEY TAG, PACKAGE OF 25
CV-ISH:	HID FORMAT ISO PROX. CARD, PACKAGE OF 10
CV-ISH-B:	HID FORMAT ISO PROX. CARD, PACKAGE OF 100
CV-CSH:	HID FORMAT CLAM SHELL PROX. CARD, PACKAGE OF 10
CV-CSH-B:	HID FORMAT CLAM SHELL PROX. CARD, PACKAGE OF 100
CV-KTH:	HID FORMAT PROX.TAG, PACKAGE OF 25

Note: (1) CV-TAC4WC required for each elevator cab.



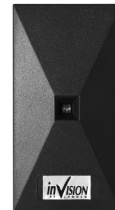
CV-TAC4WC
WIEGAND CONTROLLER



CV-TAC4USB
USB INTERFACE



CV-TAC4EL
ELEVATOR CONTROLLER



CV-7400
CARD READER



CV-CSH CARDS



HID FOB
CV-KTH