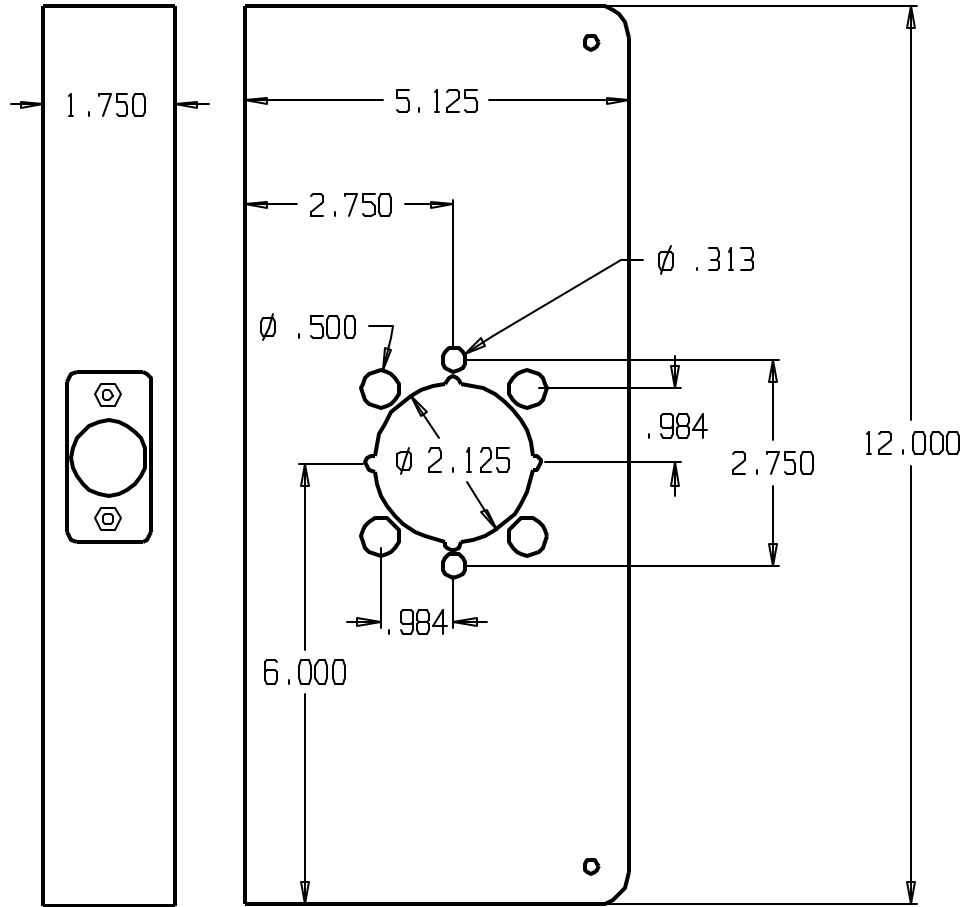


REVISIONS				
ZONE	REV	FINISHES :	DATE	APPROVED
		PB & S		



DON-JO MFG. INC.

DESIGNER	SIZE A	DATE 2/10/04	PART NO. 12-2-CW	REV
APPROVED	SCALE	RELEASE DATE	WEIGHT	SHEET